

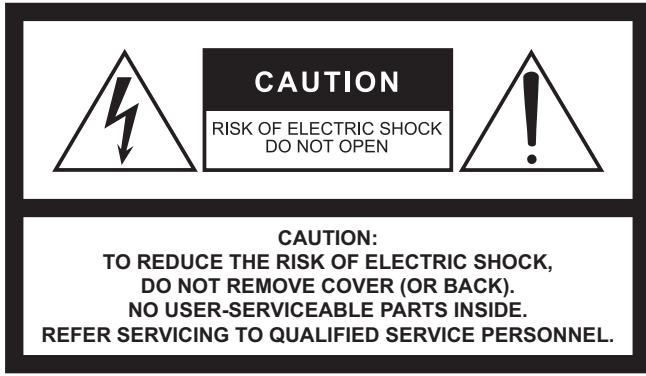
AXR4T AXR4U

AUDIO INTERFACE



Getting Started
Einführung
Prise en Main
Cómo Empezar
Introdução
Guida Introduttiva
Приступая к работе
入门
시작 설명서
セットアップガイド

EN
DE
FR
ES
PT
IT
RU
ZH
KO
JA



Explanation of Graphical Symbols Explication des symboles



The lightning flash with arrowhead symbol within an equilateral triangle is intended to alert the user to the presence of uninsulated "dangerous voltage" within the product's enclosure that may be of sufficient magnitude to constitute a risk of electric shock to persons.

L'éclair avec une flèche à l'intérieur d'un triangle équilatéral est destiné à attirer l'attention de l'utilisateur sur la présence d'une « tension dangereuse » non isolée à l'intérieur de l'appareil, pouvant être suffisamment élevée pour constituer un risque d'électrocution.



The exclamation point within an equilateral triangle is intended to alert the user to the presence of important operating and maintenance (servicing) instructions in the literature accompanying the product.

Le point d'exclamation à l'intérieur d'un triangle équilatéral est destiné à attirer l'attention de l'utilisateur sur la présence d'instructions importantes sur l'emploi ou la maintenance (réparation) de l'appareil dans la documentation fournie.

IMPORTANT SAFETY INSTRUCTIONS

- 1 Read these instructions.
- 2 Keep these instructions.
- 3 Heed all warnings.
- 4 Follow all instructions.
- 5 Do not use this apparatus near water.
- 6 Clean only with dry cloth.
- 7 Do not block any ventilation openings. Install in accordance with the manufacturer's instructions.
- 8 Do not install near any heat sources such as radiators, heat registers, stoves, or other apparatus (including amplifiers) that produce heat.
- 9 Do not defeat the safety purpose of the polarized or grounding-type plug. A polarized plug has two blades with one wider than the other. A grounding type plug has two blades and a third grounding prong. The wide blade or the third prong are provided for your safety. If the provided plug does not fit into your outlet, consult an electrician for replacement of the obsolete outlet.
- 10 Protect the power cord from being walked on or pinched particularly at plugs, convenience receptacles, and the point where they exit from the apparatus.
- 11 Only use attachments/accessories specified by the manufacturer.
- 12 Use only with the cart, stand, tripod, bracket, or table specified by the manufacturer, or sold with the apparatus. When a cart is used, use caution when moving the cart/apparatus combination to avoid injury from tip-over.
- 13 Unplug this apparatus during lightning storms or when unused for long periods of time.
- 14 Refer all servicing to qualified service personnel. Servicing is required when the apparatus has been damaged in any way, such as power-supply cord or plug is damaged, liquid has been spilled or objects have fallen into the apparatus, the apparatus has been exposed to rain or moisture, does not operate normally, or has been dropped.



WARNING

TO REDUCE THE RISK OF FIRE OR ELECTRIC SHOCK, DO NOT EXPOSE THIS APPARATUS TO RAIN OR MOISTURE.

(UL60065_03)

PRÉCAUTIONS CONCERNANT LA SÉCURITÉ

- 1 Lire ces instructions.
- 2 Conserver ces instructions.
- 3 Tenir compte de tous les avertissements.
- 4 Suivre toutes les instructions.
- 5 Ne pas utiliser ce produit à proximité d'eau.
- 6 Nettoyer uniquement avec un chiffon propre et sec.
- 7 Ne pas bloquer les orifices de ventilation. Installer l'appareil conformément aux instructions du fabricant.
- 8 Ne pas installer l'appareil à proximité d'une source de chaleur comme un radiateur, une bouche de chaleur, un poêle ou tout autre appareil (y compris un amplificateur) produisant de la chaleur.
- 9 Ne pas modifier le système de sécurité de la fiche polarisée ou de la fiche de terre. Une fiche polarisée dispose de deux broches dont une est plus large que l'autre. Une fiche de terre dispose de deux broches et d'une troisième pour le raccordement à la terre. Cette broche plus large ou cette troisième broche est destinée à assurer la sécurité de l'utilisateur. Si la fiche équipant l'appareil n'est pas compatible avec les prises de courant disponibles, faire remplacer les prises par un électricien.
- 10 Acheminer les cordons d'alimentation de sorte qu'ils ne soient pas piétinés ni coincés, en faisant tout spécialement attention aux fiches, prises de courant et au point de sortie de l'appareil.
- 11 Utiliser exclusivement les fixations et accessoires spécifiés par le fabricant.
- 12 Utiliser exclusivement le chariot, le stand, le trépied, le support ou la table recommandés par le fabricant ou vendus avec cet appareil. Si l'appareil est posé sur un chariot, déplacer le chariot avec précaution pour éviter tout risque de chute et de blessure.
- 13 Débrancher l'appareil en cas d'orage ou lorsqu'il doit rester hors service pendant une période prolongée.
- 14 Confier toute réparation à un personnel qualifié. Faire réparer l'appareil s'il a subi tout dommage, par exemple si la fiche ou le cordon d'alimentation est endommagé, si du liquide a coulé ou des objets sont tombés à l'intérieur de l'appareil, si l'appareil a été exposé à la pluie ou à de l'humidité, si l'appareil ne fonctionne pas normalement ou est tombé.



AVERTISSEMENT

POUR RÉDUIRE LES RISQUES D'INCENDIE OU DE DÉCHARGE ÉLECTRIQUE, N'EXPOSEZ PAS CET APPAREIL À LA PLUIE OU À L'HUMIDITÉ.

(UL60065_03)

FCC INFORMATION (U.S.A.)

1. IMPORTANT NOTICE: DO NOT MODIFY THIS UNIT!

This product, when installed as indicated in the instructions contained in this manual, meets FCC requirements. Modifications not expressly approved by Yamaha may void your authority, granted by the FCC, to use the product.

2. IMPORTANT: When connecting this product to accessories and/or another product use only high quality shielded cables. Cable/s supplied with this product **MUST** be used. Follow all installation instructions. Failure to follow instructions could void your FCC authorization to use this product in the USA.

3. NOTE: This product has been tested and found to comply with the requirements listed in FCC Regulations, Part 15 for Class "B" digital devices. Compliance with these requirements provides a reasonable level of assurance that your use of this product in a residential environment will not result in harmful interference with other electronic devices. This equipment generates/uses radio frequencies and, if not installed and used according to the instructions found in the users manual, may cause interference harmful to the operation of other electronic devices. Compliance with FCC regula-

tions does not guarantee that interference will not occur in all installations. If this product is found to be the source of interference, which can be determined by turning the unit "OFF" and "ON", please try to eliminate the problem by using one of the following measures:

Relocate either this product or the device that is being affected by the interference.

Utilize power outlets that are on different branch (circuit breaker or fuse) circuits or install AC line filter/s.

In the case of radio or TV interference, relocate/reorient the antenna. If the antenna lead-in is 300 ohm ribbon lead, change the lead-in to co-axial type cable.

If these corrective measures do not produce satisfactory results, please contact the local retailer authorized to distribute this type of product. If you can not locate the appropriate retailer, please contact Yamaha Corporation of America, Electronic Service Division, 6600 Orangethorpe Ave, Buena Park, CA90620

The above statements apply **ONLY** to those products distributed by Yamaha Corporation of America or its subsidiaries.

(class B)

COMPLIANCE INFORMATION STATEMENT

Responsible Party: Yamaha Corporation of America

Address: 6600 Orangethorpe Ave. Buena Park CA 90620

Telephone: 714-522-9011

Type of Equipment: Audio Interface

Model Name: AXR4T, AXR4U

This device complies with Part 15 of the FCC Rules.

Operation is subject to the following two conditions:

- 1) this device may not cause harmful interference, and
- 2) this device must accept any interference received including interference that may cause undesired operation.

Contents

Package Contents	5
PRECAUTIONS	6
Manual Composition	9
Conventions in This Manual.....	9
TOOLS for AXR4.....	10
Yamaha Steinberg Thunderbolt Driver or Yamaha Steinberg USB Driver	10
Steinberg AXR Applications.....	10
Advanced FX Suite	10
Supplying Power	11
Connecting the Power Adaptor.....	11
Turning the Power On and Standby	11
Setting Up.....	12
Software Installation Using TOOLS for AXR4	12
Activating Advanced FX Suite	13
Cubase Setup	13
General Specifications.....	14

Package Contents

This product package consists of the following. Please confirm that all package items are included when opening this package.

- **The AXR4T or the AXR4U device**
- **AC adaptor (PA-700 or Yamaha-recommended equivalent, electric plug included)**
- **AXR4 Getting Started (this book)**
- **USB3.0 cable (3.1 Gen1, Type-C to Type-A, 1.0m, AXR4U only)**

NOTE

Note that a separate Thunderbolt2-certified cable is required to connect the AXR4T. Prepare a cable that matches the connector on the computer and the Thunderbolt2 connector on the AXR4T device. Use an adaptor if necessary.

- **CUBASE AI DOWNLOAD INFORMATION (printed)**
- **ESSENTIAL PRODUCT LICENSE INFORMATION (printed)**
- **AXR4 CAUTION SHEET (printed)**

PRECAUTIONS

PLEASE READ CAREFULLY BEFORE PROCEEDING

Please keep this manual in a safe place for future reference.

This product is designed for music production/recording. Do not use for any purposes other than the one intended. Those who are unfamiliar with handling or those who can not handle according to this manual such as children, should be supervised by responsible persons to ensure safety.



WARNING

Always follow the basic precautions listed below to avoid the possibility of serious injury or even death from electrical shock, short-circuiting, damages, fire or other hazards. These precautions include, but are not limited to, the following:

If you notice any abnormality

- If any of the following problems occur, immediately turn off the power switch and disconnect the electric plug from the outlet.
 - The power cord or AC adaptor becomes frayed or damaged.
 - Unusual smells or smoke are emitted.
 - Some object, or water has been dropped into the product.
 - There is a sudden loss of sound during use of the product.
 - Cracks or other visible damage appear on the product.
 Then have the product inspected or repaired by qualified Yamaha service personnel.

Power supply/AC adaptor

- Do not place the power cord near heat sources such as heaters or radiators, and do not excessively bend or otherwise damage the cord, place heavy objects on it, or place it in a position where anyone could walk on, trip over, or roll anything over it.
- Only use the voltage specified as correct for the product. The required voltage is printed on the name plate of the product.
- Use the specified adaptor only. Using the wrong adaptor can result in damage to the product or overheating.
- Use only the supplied power cord/plug.
If you intend to use the product in an area other than in the one you purchased, the included power cord may not be compatible. Please check with your Yamaha dealer.
- Check the electric plug periodically and remove any dirt or dust which may have accumulated on it.
- Make sure to fully insert the electric plug to prevent electric shocks or fire.
- When setting up the product, make sure that the AC outlet you are using is easily accessible. If some trouble or malfunction occurs, immediately turn off the power switch and disconnect the plug from the outlet. Even when the power switch is turned off, as long as the power cord is not unplugged from the wall AC outlet, the product will not be disconnected from the power source.
- Remove the electric plug from the outlet when the product is not to be used for extended periods of time.

- Do not touch the product or the electric plug during an electrical storm.
- Be sure to connect to an appropriate outlet with a protective grounding connection. Improper grounding can result in electrical shock, fire, or damage.

Do not open

- This product contains no user-serviceable parts. Do not attempt to disassemble the internal parts or modify them in any way.

Water warning/Fire warning

- Do not expose the product to rain, use it near water or in damp or wet conditions, or place on it any containers (such as vases, bottles or glasses) containing liquids which might spill into any openings.
- Never insert or remove an electric plug with wet hands.
- Do not place any burning items or open flames near the product, since they may cause a fire.

Hearing loss

- Before turning the power of all devices on or off, make sure that all volume levels are set to the minimum. Failing to do so may result in hearing loss, electric shock, or device damage.
- When turning on the AC power in your audio system, always turn on the power amplifier LAST, to avoid hearing loss and speaker damage. When turning the power off, the power amplifier should be turned off FIRST for the same reason.
- Do not use headphones for a long period of time at a high or uncomfortable volume level, since this can cause permanent hearing loss. If you experience any hearing loss or ringing in the ears, consult a physician.



CAUTION

Always follow the basic precautions listed below to avoid the possibility of physical injury to you or others, or damage to the product or other property. These precautions include, but are not limited to, the following:

Power supply/AC adaptor

- Do not cover or wrap the AC adaptor with a cloth or blanket.
- When removing the electric plug from the product or an outlet, always hold the plug itself and not the cord. Pulling by the cord can damage it.

Location and connection

- Do not place the product in an unstable position or a location with excessive vibration, where it might accidentally fall over and cause injury.
- Keep this product out of reach of children. This product is not suitable for use in locations where children are likely to be present.
- Do not block the vents. This product has ventilation holes at the top/rear/sides/bottom to prevent the internal temperature from becoming too high. In particular, do not place the product on its side or upside down. Inadequate ventilation can result in overheating, possibly causing damage to the product(s), or even fire.

- To ensure proper heat dissipation of the product, when installing it:
 - Do not cover it with any cloth.
 - Do not install it on a carpet or rug.
 - Make sure the top surface faces up; do not install on its sides or upside down.
 - Do not use the product in a confined, poorly-ventilated location.

Inadequate ventilation can result in overheating, possibly causing damage to the product(s), or even fire.
- If the product is mounted in an EIA standard rack, carefully read the section “Precautions for Rack Mounting” of the AXR4 Operation Manual. Inadequate ventilation can result in overheating, possibly causing damage to the product(s), malfunction, or even fire.

If this product is to be used in a small space other than an EIA-standard rack, make sure that there is adequate space around the product: at least 15cm above, 2cm at the sides and 5cm behind.
- Do not place the product in a location where it may come into contact with corrosive gases or salt air. Doing so may result in malfunction.
- Before moving the product, remove all connected cables.

Maintenance

- Remove the power plug from the AC outlet when cleaning the product.

Handling caution

- Do not rest your weight on the product or place heavy objects on it.

Notice

To avoid the possibility of malfunction/damage to the product, damage to data, or damage to other property, follow the notices below.

■ Handling and maintenance

- Do not use the product in the vicinity of a TV, radio, or other electric products. Otherwise, the product, TV, or radio may generate noise.
- Do not expose the product to excessive dust or vibration, or extreme cold or heat, in order to prevent the possibility of panel disfiguration, unstable operation, or damage to the internal components.
- Do not install in locations where temperature changes are severe. Otherwise, condensation may form on the inside or the surface of the product, causing it to break.
- If there is reason to believe that condensation might have occurred, leave the product for several hours without turning on the power until the condensation has completely dried out, in order to prevent possible damage.
- Do not place vinyl, plastic or rubber objects on the product, since this might cause alteration or discoloration of the panel.
- When cleaning the product, use a dry and soft cloth. Do not use paint thinners, solvents, cleaning fluids, or chemical-impregnated wiping cloths, since this might cause alteration or discoloration.
- To avoid generating unwanted noise, make sure there is adequate distance between the AC adaptor and the product.

■ Connectors

- When connecting D-sub cables, be sure to tighten the screws on both sides of the connector securely. To disconnect the cable, loosen the screws completely, then remove the cable by holding the connector part. Do not remove the plug by pulling the cable while the screws are still attached. Otherwise, the connector may be damaged, leading to malfunction.

Information

■ About copyrights

- This manual is the exclusive copyrights of Yamaha Corporation.
- Copying of the software or reproduction of this manual in whole or in part by any means is expressly forbidden without the written consent of the manufacturer.
- This product incorporates and bundles computer programs and contents in which Steinberg Media Technologies GmbH and Yamaha Corporation own copyrights or with respect to which it has license to use others' copyrights. Such copyrighted materials include, without limitation, all computer software, style files, MIDI files, WAVE data, musical scores and sound recordings. Any unauthorized use of such programs and contents outside of personal use is not permitted under relevant laws. Any violation of copyright has legal consequences. DON'T MAKE, DISTRIBUTE OR USE ILLEGAL COPIES.

■ About functions/data bundled with the product

- Even when the [⏻] (Standby/On) switch is in standby status (power lamp is off/ display is off), electricity is still flowing to the instrument at the minimum level. When you are not using the instrument for a long time, make sure you unplug the power cord from the wall AC outlet.
- XLR-type connectors are wired as follows (IEC60268 standard): pin 1: ground, pin 2: hot (+), and pin 3: cold (-).

■ About this manual

- The illustrations and LCD screens as shown in this manual are for instructional purposes only.
- Steinberg Media Technologies GmbH and Yamaha Corporation make no representations or warranties with regard to the use of the software and documentation and cannot be held responsible for the results of the use of this manual and the software.
- Steinberg and Cubase are registered trademarks of Steinberg Media Technologies GmbH.
- Windows is a registered trademark of Microsoft® Corporation in the United States and other countries.
- Apple, Mac, iPad, iPhone, and Lightning are trademarks of Apple Inc., registered in the U.S. and other countries.
- IOS is a trademark or registered trademark of Cisco in the U.S. and other countries and is used under license.
- The company names and product names in this manual are the trademarks or registered trademarks of their respective companies.
- Software may be revised and updated without prior notice.

■ About disposal

- This product contains recyclable components. When disposing of this product, please contact the appropriate local authorities.

Yamaha/Steinberg cannot be held responsible for damage caused by improper use or modifications to the product, or data that is lost or destroyed.

The model number, serial number, power requirements, etc., may be found on or near the name plate, which is at the bottom of the unit. You should note this serial number in the space provided below and retain this manual as a permanent record of your purchase to aid identification in the event of theft.

Model No.

Serial No.

(bottom_en_01)

Manual Composition

The AXR4 Manual is comprised of the following two manuals.

Getting Started (this book)

This manual describes the setup procedure for your computer before using this product. After finishing the computer setup as indicated in this manual, read the Operation Manual.

Operation Manual (PDF)

This manual describes product features and their use. The operation manual can be downloaded from the Steinberg website.

<http://www.steinberg.net/hardwaredownloads>

NOTE

To view PDF files, you need to install Adobe Reader on your computer. You can download the latest version free of charge at the following website.

<https://www.adobe.com/>

Conventions in This Manual

AXR4

The contents of this manual apply to both the AXR4T and AXR4U. The name “AXR4” used in this manual refers to both models, while “AXR4T” and “AXR4U” refer to each model when separate specifications apply. This manual mostly uses screenshots of the AXR4T.

Note that some screenshots used may differ from the actual operating screen used for AXR4U.

Cubase

The phrase “Cubase” in this manual applies to all Cubase programs and versions (except Cubase LE). If a specific version is indicated, the version is described in the text.

This manual predominantly uses screenshots of Cubase 9.5. Note that some screenshots used may differ from the actual operating screen when using versions of Cubase other than Cubase 9.5. For details on the Cubase series of programs, refer to the Cubase manuals.

Operators

Switches on the AXR4 panel are referred to as a [Key] in this owner’s manual. To differentiate physical operators on the AXR4 panel from virtual buttons and knobs displayed on the screen, the name of each operator will be enclosed in square brackets (e.g.: [SILK ON] key). The section name, etc. may appear before the [] depending on the operator being referred to.

Procedures

When the procedures or explanations apply to either Windows or Mac, the OS name is specified in this manual. When they apply to both, the OS name is not specified. This manual mostly uses screenshots from Mac.

“→” appears on some procedures in this manual. For example, the string “Studio” → “Studio Setup” → “Control Panel” indicates that you should perform the procedures in the following order.

1. Click the “Studio” menu.
2. Select the “Studio Setup” option.
3. Click the “Control Panel” button.

Version information

The letters “x.x.x” and “x.xx” indicate the version number.

TOOLS for AXR4

TOOLS for AXR4 is an installer for software necessary when connecting the AXR4 device to a computer. TOOLS for AXR4 in this manual applies both to TOOLS for AXR4T and TOOLS for AXR4U. Please download the TOOLS for AXR4 software appropriate for your operating environment from the Steinberg website prior to using the AXR4 device.

<http://www.steinberg.net/hardwaredownloads>

TOOLS for AXR4 contains the following three software components.

Yamaha Steinberg Thunderbolt Driver or Yamaha Steinberg USB Driver

These are the driver programs that allow communication between the AXR4 device and a computer. Yamaha Steinberg Thunderbolt Driver is included in TOOLS for AXR4T for Thunderbolt operating environments. Yamaha Steinberg USB Driver is included in TOOLS for AXR4U for USB operating environments.

Steinberg AXR Applications

This application software allows setting the parameters of the AXR4 device from a computer or using the link function between the device and Cubase series software. The software consists of the following two components.

- **dspMixFx AXR**

This editing software lets you set the AXR4 device when using the AXR4 device independently, or when using it with a DAW (Digital Audio Workstation) software other than Cubase series. You can use dspMixFx AXR and Cubase at the same time.

- **AXR Extension**

This software allows you to link the AXR4 device with Cubase series (for versions which supports the link function). For further details on Cubase program versions and grades that support this link function, see the Steinberg website below.

<https://www.steinberg.net/>

Advanced FX Suite

Advanced FX Suite is software consisting of plug-ins of various effects and sound processing developed by Yamaha, some of which fully utilize Virtual Circuitry Modeling technology. When you install the Advanced FX Suite, the following four plug-ins will be installed.

NOTE

For Mac, you can use AU (Audio Unit) plug-ins in addition to VST 3 plug-ins.

- **Equalizer 601**

This plug-in is an equalizer that models the characteristics of 70s analog devices.

- **Compressor 276**

This plug-in is a compressor that models the characteristics of standard recording studio analog devices.

- **Sweet Spot Morphing Channel Strip**

This plug-in is a channel strip that features both a compressor and an equalizer.

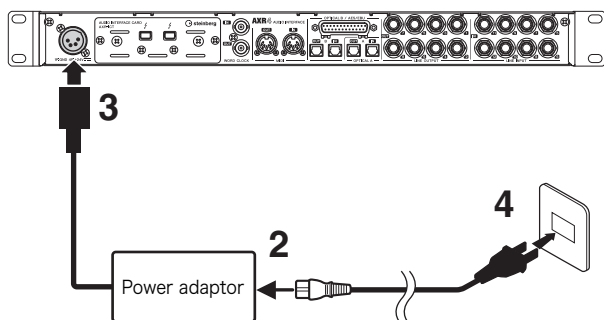
- **REV-X**

This processing effect is a digital reverb platform developed by Yamaha for professional audio devices.

Supplying Power

Connecting the Power Adaptor

1. Make sure that the [⏻/⏻] switch on the front panel of the AXR4 device is in the [⏻] position (the power is off).
2. Connect the power code to the power adaptor.
3. Insert the plug of the power adaptor into the DC IN [24V] jack on the rear panel of the AXR4 device.
4. Insert the plug of the power cord into an outlet.



WARNING

- Only use the included AC adaptor and power cord (or an equivalent recommended by Yamaha). Using the wrong adaptor or power cord can result in damage to the device, overheating or fire.
- Remove the power cord from the outlet when the device is not be used for extended periods of time, or during electrical storms. Failure to do so may result in electric shock, fire, or damage to the device.

Turning the Power On and Standby

Power On

To turn the power on, push the [⏻/⏻] switch on the front panel of the AXR4 device to the [⏻] position.
The opening screen appears on the front panel display.

Power Standby

To set to Standby, push the [⏻/⏻] switch on the front panel of the AXR4 device to the [⏻] position.
The front panel display turns off.



WARNING

Before turning the power switch on or standby, set all volume levels to minimum. Failure to do so may damage your hearing, result in electric shock, or damage the equipment.

NOTICE

Setting the [⏻/⏻] switch to on and standby in rapid succession can cause it to malfunction. After setting the [⏻/⏻] switch to standby, wait for about six seconds before setting it to on again.

NOTE

- Even when the [⏻/⏻] switch is in the standby position, electricity is still flowing to the unit. If you do not plan to use the unit for a while, be sure to unplug the power cord from the outlet.
- Make sure there is adequate distance between the power adaptor and the device.

Setting Up

The following three setup procedures are required before you can use the AXR4 device with a computer.

- Software installation using TOOLS for AXR4
- Activating Advanced FX Suite
- Cubase setup

Software Installation Using TOOLS for AXR4

Follow the steps below to install the necessary software.

NOTE

- You are only permitted to use this software pursuant to the terms and conditions of the “License Agreement” shown during the installation.
- Future upgrades of application and system software and any changes in specifications and functions will be announced at the following website.
<http://www.steinberg.net/hardwaredownloads>
- The eLicenser Control Center (eLCC) for controlling the product license is installed at the same time.
- Download TOOLS for AXR4T when connecting the AXR4T.
- Note that a separate Thunderbolt2-certified cable is required to connect the AXR4T. Prepare a cable that matches the connector on the computer and the Thunderbolt2 connector on the AXR4T device. Use an adaptor if necessary.
- Download TOOLS for AXR4U when connecting the AXR4U.
- The AXR4U can be connected to a computer with USB 3.1 Gen 1. Use the included cable to connect the AXR4U.

◆ Windows

- 1. Make sure that the computer is off, and that the [⏻/|] switch on the AXR4 device is in the standby (|) position.**
- 2. Disconnect all USB devices other than the mouse and keyboard from the computer.**
- 3. Start the computer and log on to the Administrator account.**
Exit any open applications and close all open windows.
- 4. Extract the previously downloaded TOOLS for AXR4.**
- 5. Double click the [setup.exe] file in the extracted folder to start the installation.**
- 6. Follow the on-screen instructions to install the software.**

NOTE

- While installing the software, the “eLicenser Control Center” installation message appears. Follow the on-screen instructions to install the software.
- You can select the desired software to be installed on the installation screen.

If a message requiring you to restart your computer appears, follow the on-screen instructions and restart the computer.

Checking that the installation has completed successfully

Use a suitable cable to connect the AXR4 device to the computer.

Make sure not to connect it to a hub.

7. Turn on the AXR4 device.

8. Open the [Device Manager] window as follows.

[Control Panel] → ([Hardware and Sound] →) [Device Manager]

9. Click on the [+] mark or [>] mark next to “Sound, video and game controllers.”

Confirm that the device name is listed.

Installation of the TOOLS for AXR4 is now complete.

◆ Mac

1. Start the computer and log on to the Administrator account.

Exit any open applications and close all open windows.

2. Extract the previously downloaded TOOLS for AXR4.

3. Double click the [TOOLS for AXR4T Vx.x.x.pkg] file or the [TOOLS for AXR4U Vx.x.x.pkg] file in the extracted folder to start the installation.

4. Follow the on-screen instructions to install the software.

NOTE

- While installing the software, the “eLicenser Control Center” installation message appears. Follow the on-screen instructions to install the software.
- You can select the desired software to be installed on the installation screen.

When installation has been completed, shut down the computer.

Checking that the installation has completed successfully

5. **Use a suitable cable to connect the AXR4 device to the computer.**
Make sure not to connect it to a hub.
6. **Turn on the AXR4 device.**
7. **Turn on the computer.**
8. **Open the “Audio MIDI Setup” window as follows.**
[Applications] → [Utilities] → [Audio MIDI Setup]
9. **Confirm that the device name is listed on the left side of the screen.**

Installation of the TOOLS for AXR4 is now complete.

Activating Advanced FX Suite

To use the Advanced FX Suite (plug-ins version) programs which are installed in “Installing TOOLS for AXR4,” you will need to download the licenses for such via the Internet. Use the Activation Code described in the ESSENTIAL PRODUCT LICENSE INFORMATION.

1. **Launch the “eLicenser Control Center” as follows.**

Windows

[All Programs] or [All apps] → [eLicenser] → [eLicenser Control Center]

Mac

[Applications] → [eLicenser Control Center]

2. **Click [Enter Activation Code].**
3. **Enter the Activation Code described on the included ESSENTIAL PRODUCT LICENSE INFORMATION.**
4. **Follow the on-screen instructions to download the licenses.**

NOTE

If you connect a USB-eLicenser (USB protection device) to your computer, a window requiring you to select the destination of the license appears. Note that you cannot move a license from USB-eLicenser to Soft-eLicenser once it has been stored to USB-eLicenser. Select a license storage destination that best suits your usage.

Activation is now complete.

Cubase Setup

Use the AXR4 in conjunction with the latest Cubase software to enable compatibility with 32-bit integer audio formats, together with the use of AXR Extension and other linked features.

For the latest information on the setup process required, see Cubase series Quick Start Guides and other such materials.

Downloading Cubase AI

We are offering Cubase AI (DAW) as a free download via our website, specifically for customers who have purchased the AXR4. In order to download the software, you'll need to first create a MySteinberg account on the Steinberg website. For the latest information, see the Steinberg web site below.

<http://www.steinberg.net/getcubaseai/>

NOTE

A valid “Download access code” is required for Cubase AI download. It is printed on the included CUBASE AI DOWNLOAD INFORMATION.

The setup is now complete.

For detailed instructions and information on the functions of the AXR4 device, read the operation manual.

General Specifications

Power Requirements	45W
Dimensions (W x H x D)	480 x 51.5 x 378 mm
Net Weight	AXR4T: 4.6 kg AXR4U: 4.5 kg
Operating Free-air Temperature Range	Operating Temperature Range: 0 to 40 °C Storage Temperature Range: -20 to 60 °C
Included Accessories	<ul style="list-style-type: none">• AC Adaptor (PA-700 or equivalent, power cord included)• Getting Started (this book)• CUBASE AI DOWNLOAD INFORMATION (printed)• ESSENTIAL PRODUCT LICENSE INFORMATION (printed)• AXR4 CAUTION SHEET (printed)• USB 3.0 cable (3.1 Gen1, Type-C to Type-A, 1.0m, AXR4U only)

The contents of this manual apply to the latest specifications as of the publishing date.
To obtain the latest manual, access the Steinberg website then download the manual file.

MEMO



Information for users on collection and disposal of old equipment:



This symbol on the products, packaging, and/or accompanying documents means that used electrical and electronic products should not be mixed with general household waste.

For proper treatment, recovery and recycling of old products, please take them to applicable collection points, in accordance with your national legislation.

By disposing of these products correctly, you will help to save valuable resources and prevent any potential negative effects on human health and the environment which could otherwise arise from inappropriate waste handling.

For more information about collection and recycling of old products, please contact your local municipality, your waste disposal service or the point of sale where you purchased the items.

For business users in the European Union:

If you wish to discard electrical and electronic equipment, please contact your dealer or supplier for further information.

Information on Disposal in other Countries outside the European Union:

This symbol is only valid in the European Union. If you wish to discard these items, please contact your local authorities or dealer and ask for the correct method of disposal.

(weee_eu_en_02)

Verbraucherinformation zur Sammlung und Entsorgung alter Elektrogeräte



Beendet sich dieses Symbol auf den Produkten, der Verpackung und/oder beiliegenden Unterlagen, so sollten benutzte elektrische Geräte nicht mit dem normalen Haushaltsabfall entsorgt werden.

In Übereinstimmung mit Ihren nationalen Bestimmungen bringen Sie alte Geräte bitte zur fachgerechten Entsorgung, Wiederaufbereitung und Wiederverwendung zu den entsprechenden Sammelstellen.

Durch die fachgerechte Entsorgung der Elektrogeräte helfen Sie, wertvolle Ressourcen zu schützen, und verhindern mögliche negative Auswirkungen auf die menschliche Gesundheit und die Umwelt, die andernfalls durch unsachgerechte Müllentsorgung auftreten könnten.

Für weitere Informationen zum Sammeln und Wiederaufbereiten alter Elektrogeräte kontaktieren Sie bitte Ihre örtliche Stadt- oder Gemeindeverwaltung, Ihren Abfallentsorgungsdienst oder die Verkaufsstelle der Artikel.

Information für geschäftliche Anwender in der Europäischen Union:

Wenn Sie Elektrogeräte ausrangieren möchten, kontaktieren Sie bitte Ihren Händler oder Zulieferer für weitere Informationen.

Entsorgungsinformation für Länder außerhalb der Europäischen Union:

Dieses Symbol gilt nur innerhalb der Europäischen Union. Wenn Sie solche Artikel ausrangieren möchten, kontaktieren Sie bitte Ihre örtlichen Behörden oder Ihren Händler und fragen Sie nach der sachgerechten Entsorgungsmethode.

(weee_eu_de_02)

Informations concernant la collecte et le traitement des déchets d'équipements électriques et électroniques



Le symbole sur les produits, l'emballage et/ou les documents joints signifie que les produits électriques ou électroniques usagés ne doivent pas être mélangés avec les déchets domestiques habituels.

Pour un traitement, une récupération et un recyclage appropriés des déchets d'équipements électriques et électroniques, veuillez les déposer aux points de collecte prévus à cet effet, conformément à la réglementation nationale.

En vous débarrassant correctement des déchets d'équipements électriques et électroniques, vous contribuerez à la sauvegarde de précieuses ressources et à la prévention de potentiels effets négatifs sur la santé humaine qui pourraient advenir lors d'un traitement inapproprié des déchets.

Pour plus d'informations à propos de la collecte et du recyclage des déchets d'équipements électriques et électroniques, veuillez contacter votre municipalité, votre service de traitement des déchets ou le point de vente où vous avez acheté les produits.

Pour les professionnels dans l'Union européenne :

Si vous souhaitez vous débarrasser des déchets d'équipements électriques et électroniques, veuillez contacter votre vendeur ou fournisseur pour plus d'informations.

Informations sur la mise au rebut dans d'autres pays en dehors de l'Union européenne :

Ce symbole est seulement valable dans l'Union européenne. Si vous souhaitez vous débarrasser de déchets d'équipements électriques et électroniques, veuillez contacter les autorités locales ou votre fournisseur et demander la méthode de traitement appropriée.

(weee_eu_fr_02)

Información para usuarios sobre la recogida y eliminación de los equipos antiguos



Este símbolo en los productos, embalajes y documentos anexos significa que los productos eléctricos y electrónicos no deben mezclarse con los desperdicios domésticos normales.

Para el tratamiento, recuperación y reciclaje apropiados de los productos antiguos, llévelos a puntos de reciclaje correspondientes, de acuerdo con la legislación nacional.

Al deshacerse de estos productos de forma correcta, ayudará a ahorrar recursos valiosos y a impedir los posibles efectos desfavorables en la salud humana y en el entorno que de otro modo se producirían si se trataran los desperdicios de modo inapropiado.

Para obtener más información acerca de la recogida y el reciclaje de los productos antiguos, póngase en contacto con las autoridades locales, con el servicio de eliminación de basuras o con el punto de venta donde adquirió los artículos.

Para los usuarios empresariales de la Unión Europea:

Si desea desechar equipos eléctricos y electrónicos, póngase en contacto con su vendedor o proveedor para obtener más información.

Información sobre la eliminación en otros países fuera de la Unión Europea:

Este símbolo solo es válido en la Unión Europea. Si desea desechar estos artículos, póngase en contacto con las autoridades locales o con el vendedor y pregúnteles el método correcto.

(weee_eu_es_02)

Informazioni per gli utenti sulla raccolta e lo smaltimento di vecchia attrezzatura



Questi simboli sui prodotti, sull'imballaggio e/o sui documenti che li accompagnano, indicano che i prodotti elettrici ed elettronici non devono essere mischiati con i rifiuti generici.

Per il trattamento, il recupero e il riciclaggio appropriato di vecchi prodotti, si prega di portarli ai punti di raccolta designati, in accordo con la legislazione locale.

Smaltendo correttamente questi prodotti si potranno recuperare risorse preziose, oltre a prevenire potenziali effetti negativi sulla salute e l'ambiente che potrebbero sorgere a causa del trattamento improprio dei rifiuti.

Per ulteriori informazioni sulla raccolta e il riciclaggio di vecchi prodotti, si prega di contattare l'amministrazione comunale locale, il servizio di smaltimento dei rifiuti o il punto vendita dove sono stati acquistati gli articoli.

Per utenti imprenditori dell'Unione europea:

Se si desidera scartare attrezzatura elettrica ed elettronica, si prega di contattare il proprio rivenditore o il proprio fornitore per ulteriori informazioni.

Informazioni sullo smaltimento negli altri Paesi al di fuori dell'Unione europea:

Questi simboli sono validi solamente nell'Unione Europea; se si desidera scartare questi articoli, si prega di contattare le autorità locali o il rivenditore e richiedere informazioni sulla corretta modalità di smaltimento.

(weee_eu_it_02)

Informações para os utilizadores relativas à recolha e eliminação de equipamentos usados



Este símbolo, presente em produtos, embalagens e/ou incluído na documentação associada, indica que os produtos elétricos e eletrónicos usados não devem ser eliminados juntamente com os resíduos domésticos em geral.

O procedimento correto consiste no tratamento, recuperação e reciclagem de produtos usados, pelo que deve proceder à respetiva entrega nos pontos de recolha adequados, em conformidade com a legislação nacional em vigor.

A eliminação destes produtos de forma adequada permite poupar recursos valiosos e evitar potenciais efeitos prejudiciais para a saúde pública e para o ambiente, associados ao processamento incorreto dos resíduos.

Para mais informações relativas à recolha e reciclagem de produtos usados, contacte as autoridades locais, o serviço de eliminação de resíduos ou o ponto de venda onde foram adquiridos os itens relevantes.

Informações para utilizadores empresariais na União Europeia:

Para proceder à eliminação de equipamento elétrico e eletrónico, contacte o seu revendedor ou fornecedor para obter informações adicionais.

Informações relativas à eliminação em países não pertencentes à União Europeia:

Este símbolo é válido exclusivamente na União Europeia. Caso pretenda eliminar este tipo de itens, contacte as autoridades locais ou o seu revendedor e informe-se acerca do procedimento correto para proceder à respetiva eliminação.

(weee_eu_pt_02a)

► **Warranty Terms and Conditions**

available as printed PDF file at

www.steinberg.net/warranty

The Warranty Terms and Conditions available as printed PDF file at www.steinberg.net/warranty apply only for countries of the European Economic Area (EEA) and Switzerland.

► **Gewährleistungsbestimmungen**

finden Sie als druckbare PDF Datei unter

www.steinberg.de/warranty

Die Gewährleistungsbestimmungen in Schriftform sind als PDF-Datei unter www.steinberg.de/warranty erhältlich und gelten nur für den Europäischen Wirtschaftsraum (EWR) und die Schweiz.

► **Les conditions de garantie**

se trouvent dans le document PDF imprimable sous

www.steinberg.net/warranty

Les conditions de garantie disponibles au format PDF à la page www.steinberg.net/warranty s'appliquent uniquement aux pays de l'Espace économique européen (EEE) et à la Suisse.

► **Las condiciones de garantía**

se encuentran en el documento PDF en

www.steinberg.net/warranty

Los términos y condiciones de la garantía como archivo PDF para su impresión en www.steinberg.net/warranty sólo están disponible en países del Espacio Económico Europeo (EEE) y Suiza.

► **Termos e condições de garantia**

arquivo PDF disponível no endereço

www.steinberg.net/warranty

O arquivo PDF com os Termos e condições de garantia disponibilizado no endereço www.steinberg.net/warranty aplica-se somente aos países da Área Econômica Europeia (AEE) e à Suíça.

► **Termini e Condizioni di Garanzia**

disponibili su file PDF stampabile all'indirizzo web

www.steinberg.net/warranty

termini e le condizioni della garanzia, disponibili in formato PDF all'indirizzo www.steinberg.net/warranty, sono validi soltanto per i paesi dell'Area Economica Europea (EEA) e per la Svizzera.

List of distributors

<p>If you need support or further product information please contact the distributor in your country. A list of distributors is available at this website. For assistance in determining who to contact, please contact "Headquarter SMTG."</p>	EN
<p>Wenn Sie Unterstützung oder weitere Produktinformationen benötigen, wenden Sie sich bitte an den Vertrieb in Ihrem Land. Eine Liste der Vertriebspartner finden Sie auf dieser Website. Wenn Sie Hilfe benötigen, an wen Sie sich wenden sollten, kontaktieren Sie bitte „Headquarter SMTG“.</p>	DE
<p>Pour toute demande d'assistance ou d'information supplémentaire sur les produits, veuillez contacter le distributeur agréé dans votre pays. La liste des distributeurs agréés est disponible sur le site Web suivant. Pour obtenir de l'aide sur les ressources à contacter, adressez-vous au « Siège de SMTG ».</p>	FR
<p>Para solicitar asistencia o más información sobre el producto, póngase en contacto con el distribuidor de su país. Encontrará una lista de distribuidores en el siguiente sitio web. Para consultas sobre el contacto adecuado, diríjase a "Headquarter SMTG."</p>	ES
<p>Se você precisar de suporte ou de mais informações sobre o produto, entre em contato com o distribuidor no seu país. Há uma lista de distribuidores disponível neste site. Para receber ajuda para determinar com quem entrar em contato, fale com a "Sede da SMTG".</p>	PT
<p>Per ottenere assistenza o avere ulteriori informazioni sul prodotto, contattare il distributore locale. L'elenco dei distributori è disponibile sul sito Web al seguente indirizzo. Per individuare il distributore da contattare, rivolgersi alla sede centrale SMTG.</p>	IT
<p>Если вам необходима техническая поддержка или дополнительные сведения о продуктах, обратитесь к дистрибьютору в вашей стране. Список дистрибьюторов можно найти на этом веб-сайте. Чтобы узнать, к кому следует обращаться, свяжитесь с центральным офисом SMTG.</p>	RU
<p>如需更多支持和深层产品信息,请联系您所在国家的代理商。 代理商列表请浏览下列网址。 如需帮助决定联系哪方代理商,请联系" SMTG总公司"。</p>	ZH
<p>지원 또는 추가 제품 정보가 필요한 경우 해당 국가의 판매업체에 문의하십시오. 판매업체 목록은 다음 웹사이트에서 이용할 수 있습니다. 문의 판매업체를 결정하는 데 도움이 필요한 경우 "SMTG 본사"에 문의하십시오.</p>	KO

<https://www.steinberg.net/en/company/distributor.html>

HEAD OFFICE: Steinberg Media Technologies GmbH
Beim Strohhause 31, 20097 Hamburg, Germany Tel: +49-(0)40-210 35 0

雅马哈乐器音响（中国）投资有限公司
上海市静安区新闻路 1818 号云和大厦 2 楼
客户服务热线：4000517700
公司网址：<https://www.yamaha.com.cn>

厂名：雅马哈电子（苏州）有限公司
厂址：江苏省苏州市苏州新区鹿山路 18 号

Steinberg Website
<https://www.steinberg.net/>

Manual Development Group
© 2018 Yamaha Corporation

Published 09/2019
2019年9月发行
MWES-B0

VAZ1330

